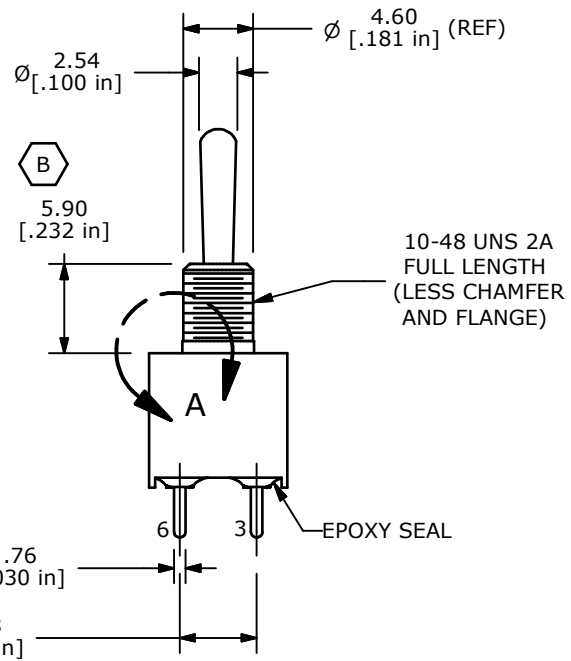
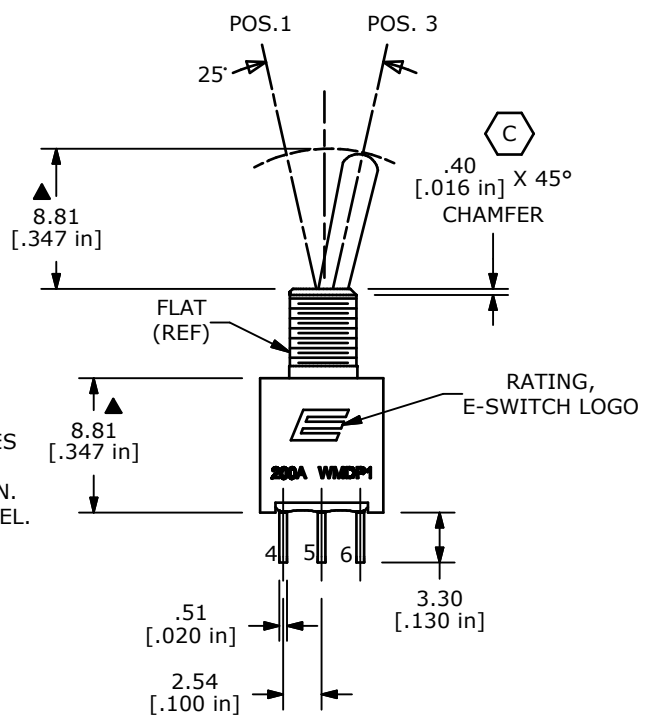
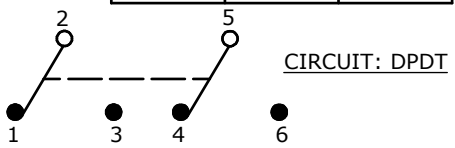


ISOMETRIC

DETAIL A

SWITCH FUNCTION		
POS. 1	POS. 2	POS. 3
ON	NONE	ON
2-3, 5-6	OPEN	2-1, 5-4



- NOTE:
1. ALL DIMENSIONS IN MM [INCH]
 2. GENERAL TOLERANCE: X.X=±0.4
X.XX=±0.25
 3. TERMINAL NUMBERS FOR REF ONLY
 - ▲ 4. PLATING MATERIAL: GOLD
 5. RATING: 0.4VA @ 20VAC OR VDC MAX.
 6. ELECTRIC LIFE: 50,000 MAKE-AND-BREAK CYCLES AT FULL LOAD.
 7. INSULATION RESISTANCE: 1,000 MEGA-OHM MIN.
 8. DIELECTRIC STRENGTH: 1,000 V RMS @SEA LEVEL.
 9. OPERATING TEMP.: -30°C to 85°C
 10. ▲ DENOTES CRITICAL PARAMETER.
 11. 2002/95/EC (ROHS) COMPLIANT
 - ▲ 12. SEAL RATED: IP 67
 - ▲ 13. HARDWARE TO BE SHIPPED BULK
T200001 - HEXNUT (QTY 2)
T200000 - LOCKWASHER (QTY 1)
T200002 - LOCKRING (QTY 1)

C	18347	ADD FLANGE, CHAMFER TO BUSHING	12/11/08	BLR
B	18181	ACTUATOR / BUSHING HEIGHTS FINALIZED	7/18/08	BLR
A	18169	RELEASED FOR PRODUCTION	7/10/08	BLR
REV	PCR NO	DESCRIPTION	DATE	BY

THE INFORMATION CONTAINED IN THIS DOCUMENT IS PROPRIETARY TO E-SWITCH AND IS NOT TO BE COPIED OR TRANSFERRED

TITLE **200AWMDP1T1A4M2REH SPECIAL**

SCALE	DATE	DR	DWG	REV
2:1	12/11/2008	BLR	ST201117	C